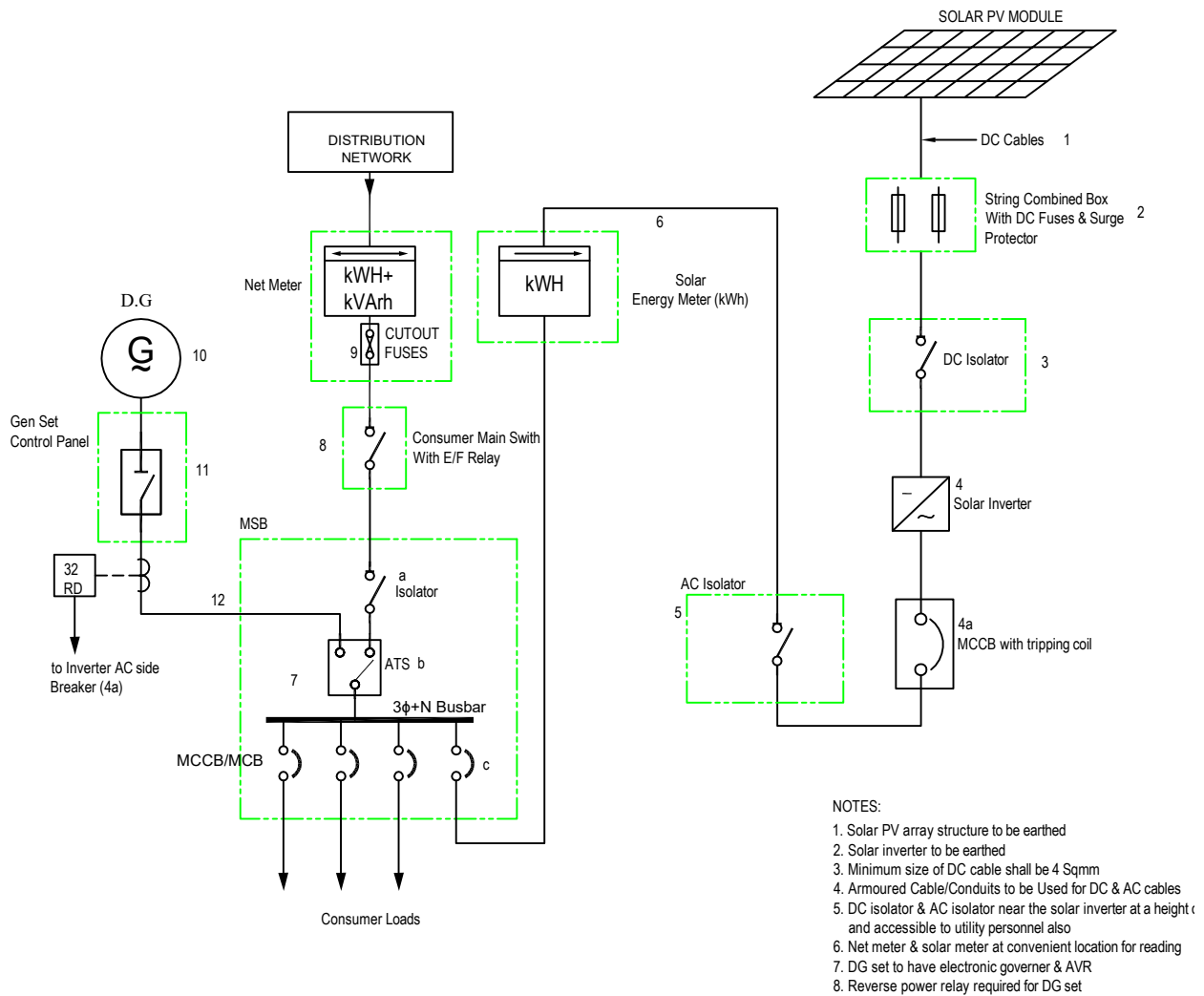


Solar System 50 kWp, 3 Phase with DG.



GRID TIED SOLAR POWER SYSTEM WITH DG BACK UP

NOTES:

1. DC Cable: 2C, 50 Sq. mm, XLPE / 70 Sq.mm. PVC Copper, UV protected.
2. DC Fuse: 125 Ampere
3. DC Isolator: 125 Ampere
4. Solar Invertor: 50 kVA
- 4a. 80A MCCB with tripping coil
5. AC Isolator: 125Ampere
6. AC Cable: 4C, 25/50q.mm, XLPE / PVC (Copper / Aluminium)
7. Main Switch Board (MSB): 100 Ampere TPN MCCB DB (4Way)
 - a. Incomer MCCB Isolator: 100 Ampere, 4 way
 - b. ATS: 63 Ampere
 - c. Outgoing MCB: 6/10/25/32 Ampere
8. Consumer Main Switch: 100 Ampere
9. Cut out fuse.
10. Generator: 415V, 50Hz, 3 Phase, 50kVA
11. MCCB: 100 Ampere
12. Cable: 4C, 50 Sq.mm., AYFY